

CD RECEIVER

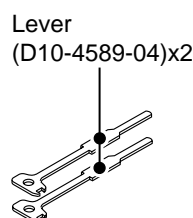
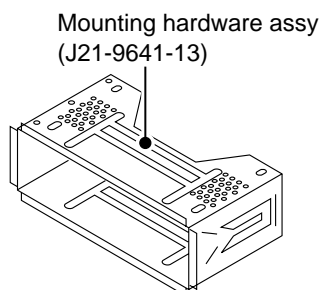
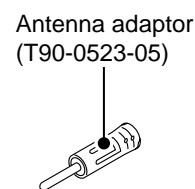
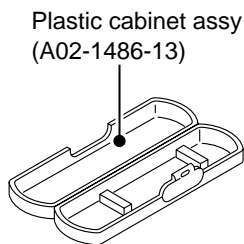
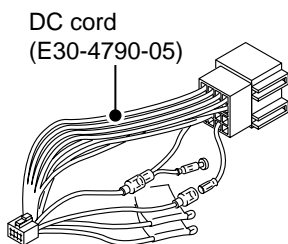
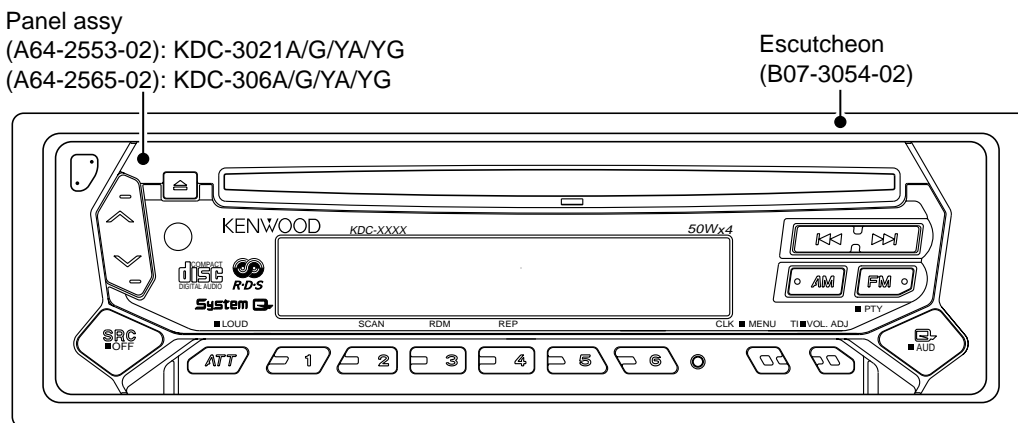
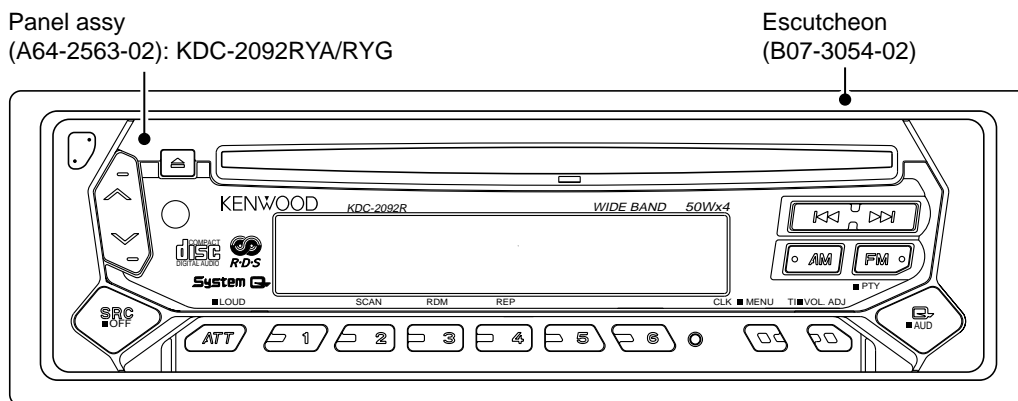
KDC-2092RYA/RYG KDC-3021A/G/YA/YG KDC-306A/G/YA/YG SERVICE MANUAL

KENWOOD

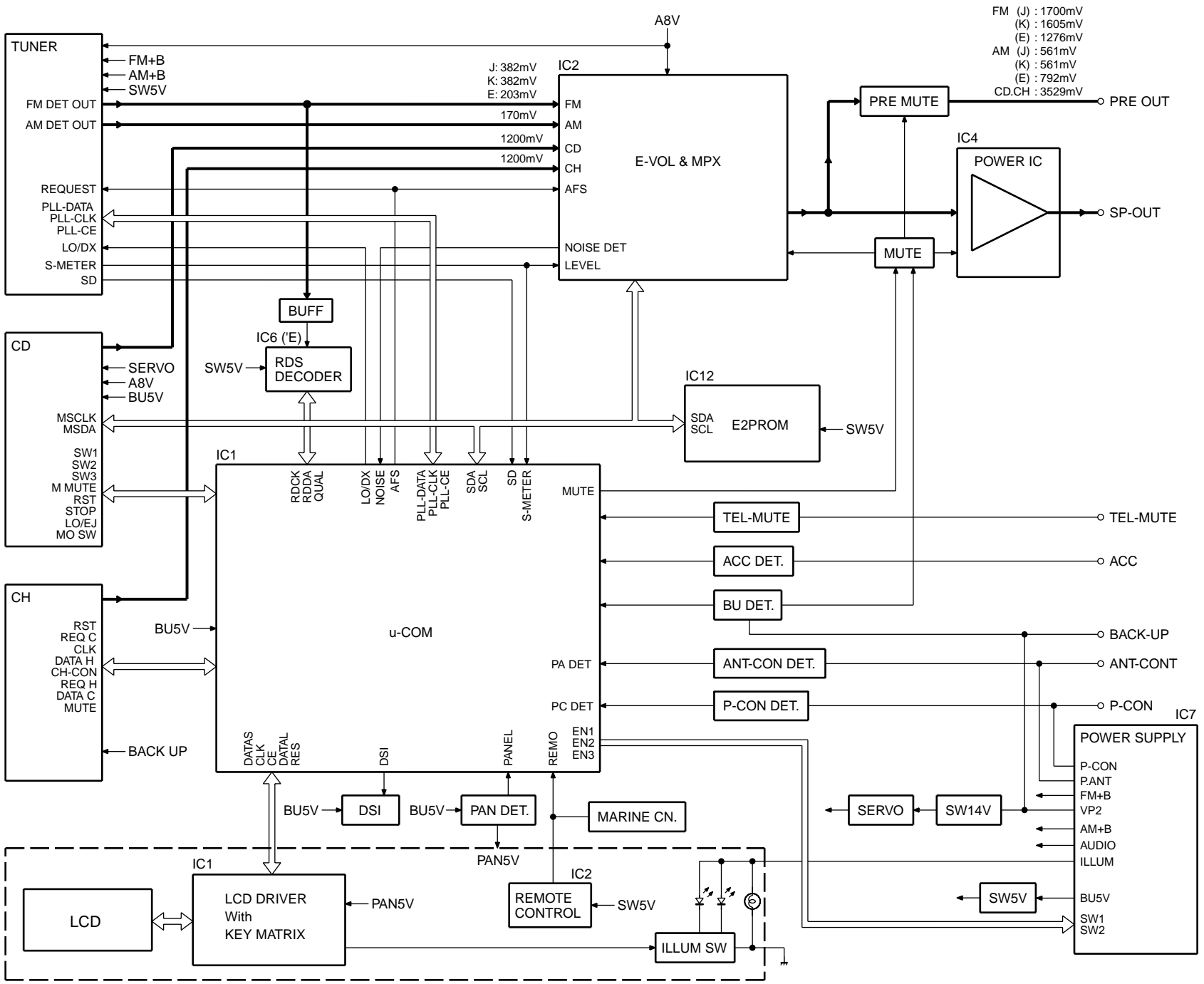
© 2001-12 PRINTED IN JAPAN
B51-7872-00 (N) 1937

The CD mechanism information is not in this service manual.
Please, refer to service manual X92-4030-0x (B51-7867-00).

CD mechanism extension cord : W05-0618-00



BLOCK DIAGRAM



MICROCOMPUTER'S TERMINAL DESCRIPTION

SYSTEM MICROCOMPUTER μ PD780058GC-XXX (IC1 : X25)

Pin No.	Pin Name	I/O	Purpose	Processing in STBY Mode
1	PANEL	I	Panel detection	Hi-Z
2	8EJE SW *1	I	8 cm disk eject end detection switch	L, L when the 8 cm CD compatibility is not provided.
3	NC	O	Not used	L
4	AVss	-	GND potential (for A/D and D/A)	-
5	L-RST	O	LCD driver reset	H, L when the panel is detached or with 7-segment output.
6	L-CE	O	LCD driver chip enable	L, L is output when the panel is detached.
7	AVREF1	I	5V power supply (D/A converter reference voltage)	-
8	NC	I	Not used	Hi-Z
9	PLL-DATA	I/O	F/E (IC3) communication data	L
10	PLL-CLK	O	F/R (IC3) communication clock	L
11	L-DATAL	I	LCD driver communication data (LCD)	Hi-Z
12	L-DATAS	O	LCD driver communication data (SYSTEM)	L, L is output when the panel is detached.
13	L-CLK	O	LCD driver communication clock	H, L is output when the panel is detached.
14	R-DATA	I	RDS DATA	Hi-Z, L when RDS is not available.
15	R-QUAL	I	RDS QUAL	Hi-Z, L when RDS is not available.
16	CH-DATAC	I	5-wire communication data (CH)	Hi-Z, L when CH is not available.
17	CH-DATAH	O	5-wire communication data (HEAD)	L, L when CH is not available.
18	CH-CLK	I/O	5-wire communication clock	Hi-Z, L when CH is not available.
19	CH-REQH	O	5-wire CH request (HEAD)	H, L when CH is not available.
20	PLL-CE	O	F/E chip enable	L
21	AFS	O	Noise detection time constant switching	L
22	LO/DX	O	Local seek switching	L
23~26	NC	O	Not used	L
27	SD	I	Station detection	Hi-Z
28	CH-CONT	O	5-wire communication CH ON output	L, L when CH is not available.
29	TYPE REF	O	Destination type and servicing setting 5V output	L
30	TYPE2	I	Destination type setting	Hi-Z
31	TYPE1	I	Destination type setting	Hi-Z
32	TYPE0	I	Destination type setting	Hi-Z
33	Vss1	-	GND potential (for other parts than ports and analog circuitry)	-
34	IC2TYPE1	I	Servicing pin (SEL1), normally "L"	Hi-Z
35	IC2TYPE0	I	Servicing pin (SEL0), normally "L"	Hi-Z
36	DATA	I/O	IC2, CD mechanism and F/E communication data	L
37	CLK	O	IC2, CD mechanism and F/E communication clock	L
38	MUTE	O	Muting control output	L, 15 sec. after power OFF.
39	P-MUTE	O	PWR IC muting output	H, 15 sec. after power OFF.
40	SVR	O	SVR control output	L
41	P-STBY	O	PWR IC standby output	L
42	SW5V	O	SW5 control output	"H" in 10 sec. after power OFF.
43	B.U-DET	I	B.U. detection	Hi-Z
44	ACC-DET	I	ACC detection	Hi-Z
45,46	NC	O	Not used	L
47~49	PS1-0~PS1-2	O	Power supply IC AUD/P.CON/P.ANT SW	L
50	BEEP	O	Buzzer output	L
51,52	PS2-0,PS2-1	O	Power supply IC ILL/AM/FM SW	L
53	DSI	O	DSI control output	L, H/L when panel is detached. FIX output is L.

MICROCOMPUTER'S TERMINAL DESCRIPTION / ADJUSTMENT

Pin No.	Pin Name	I/O	Purpose	Processing in STBY Mode
54	LOE/LIM SW	I	CD mechanism Down & Limit detection	Hi-Z
55	MOSW	O	CD mechanism motor switching	L
56	LO/EJ	I/O	Lo/Ej switching	Hi-Z
57	M-STOP	O	Mechanism COM stop output	L
58	M-RST	O	Mechanism COM reset output	H
59	M-MUTE	I	Mechanism COM mute input	Hi-Z
60	RESET	I	System reset input	Hi-Z
61	REMO	I	Remote control input	Hi-Z
62	R-CLK	I	RDS CLOCK	Hi-Z, L when RDS is not available.
63	CH-REQC	I	5-wire CH request (CH)	Hi-Z, L when CH is not available.
64	LOS SW	I	Loading SW detection	Hi-Z
65	KEY-REQ	I	Key input detection	Hi-Z
66	12EJE SW	I	12 cm disc detection	Hi-Z
67	Vss0	-	GND potential (for ports)	-
68	VDD1	-	Positive power supply (for other parts than ports and analog circuitry)	-
69	X2	-	Main system clock oscillation	-
70	X1	I	Main system clock oscillation	-
71	IC	-	Flash uCOM write	-
72	XT2	-	Not used	-
73	XT1	-	Not used (Connected to 5V power supply)	-
74	VDD0	-	Positive power supply (for ports)	-
75	AVREF0	I	5V power supply (A/D converter reference voltage)	-
76	S-METER	I	S-meter input	Hi-Z
77	PHONE	I	Navigation muting 2.5V or more, Telephone muting 1V or less.	Hi-Z, L when TEL is not available.
78	NOISE	I	FM noise detection	Hi-Z, L when RDS is not available.
79	NC	O	Not used	L
80	AVCONT	O	A/D reference voltage control	L

ADJUSTMENT

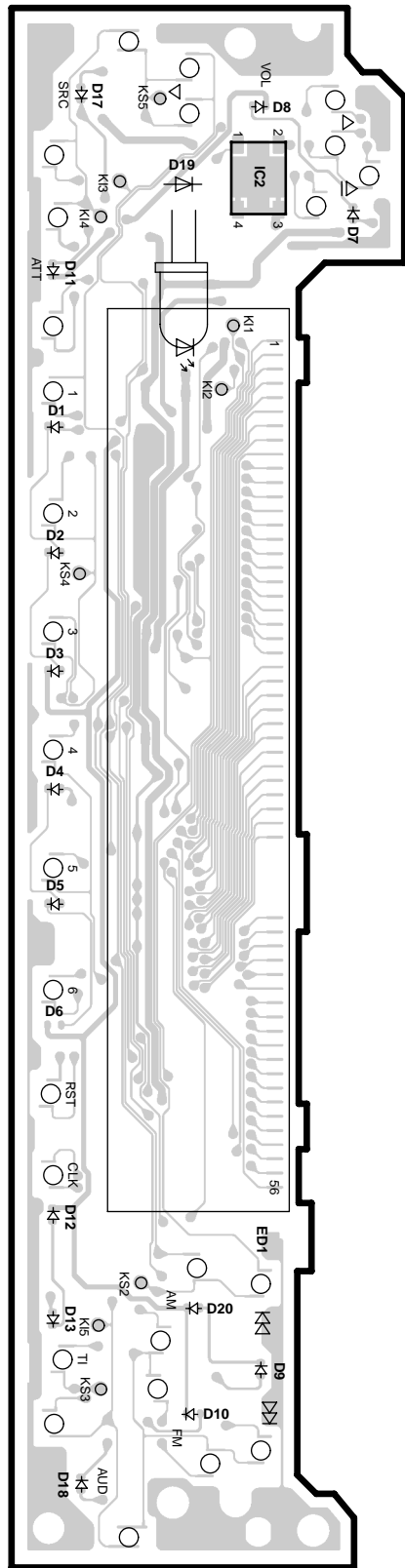
No.	ITEM	INPUT SETTINGS	TUNER (RECEIVER) SETTINGS	ALIGNMENT POINTS	ALIGN FOR
FM SECTION					
1	SD	98.1MHz 0 dev 35dB μ (ANT input)	TEST MODE : ON FM 98.1MHz	Preset "1" key, and preset "6" key	While holding preset "1" key, press and hold preset "6" key for a few seconds. "ADJ OK" is good. "ADJ NG" is not good.
AM SECTION					
(1)	SD	990kHz 0% mod 35dB μ (ANT input)	TEST MODE : ON AM 990kHz	Preset "1" key, and preset "6" key	While holding preset "1" key, press and hold preset "6" key for a few seconds. "ADJ OK" is good. "ADJ NG" is not good.

TEST MODE : ON While holding the FM key and preset "6" key, reset the unit.

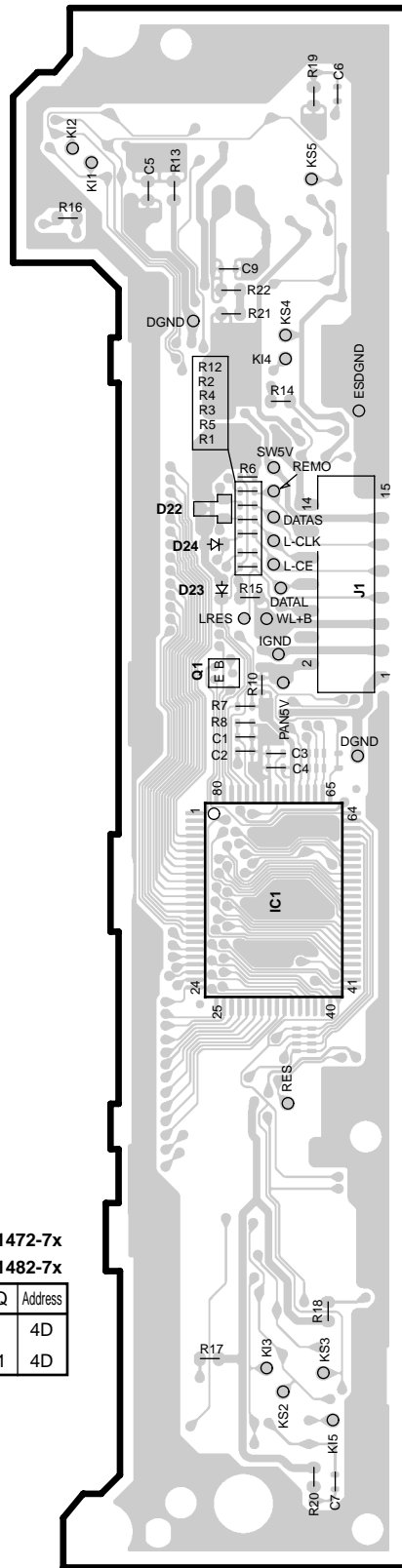
TEST MODE : OFF Reset the unit.

PC BOARD (COMPONENT SIDE VIEW) (FOIL SIDE VIEW)

X16-1472-7x/
X16-1482-7x (J74-1288-12)



X16-1472-7x/
X16-1482-7x (J74-1288-12)

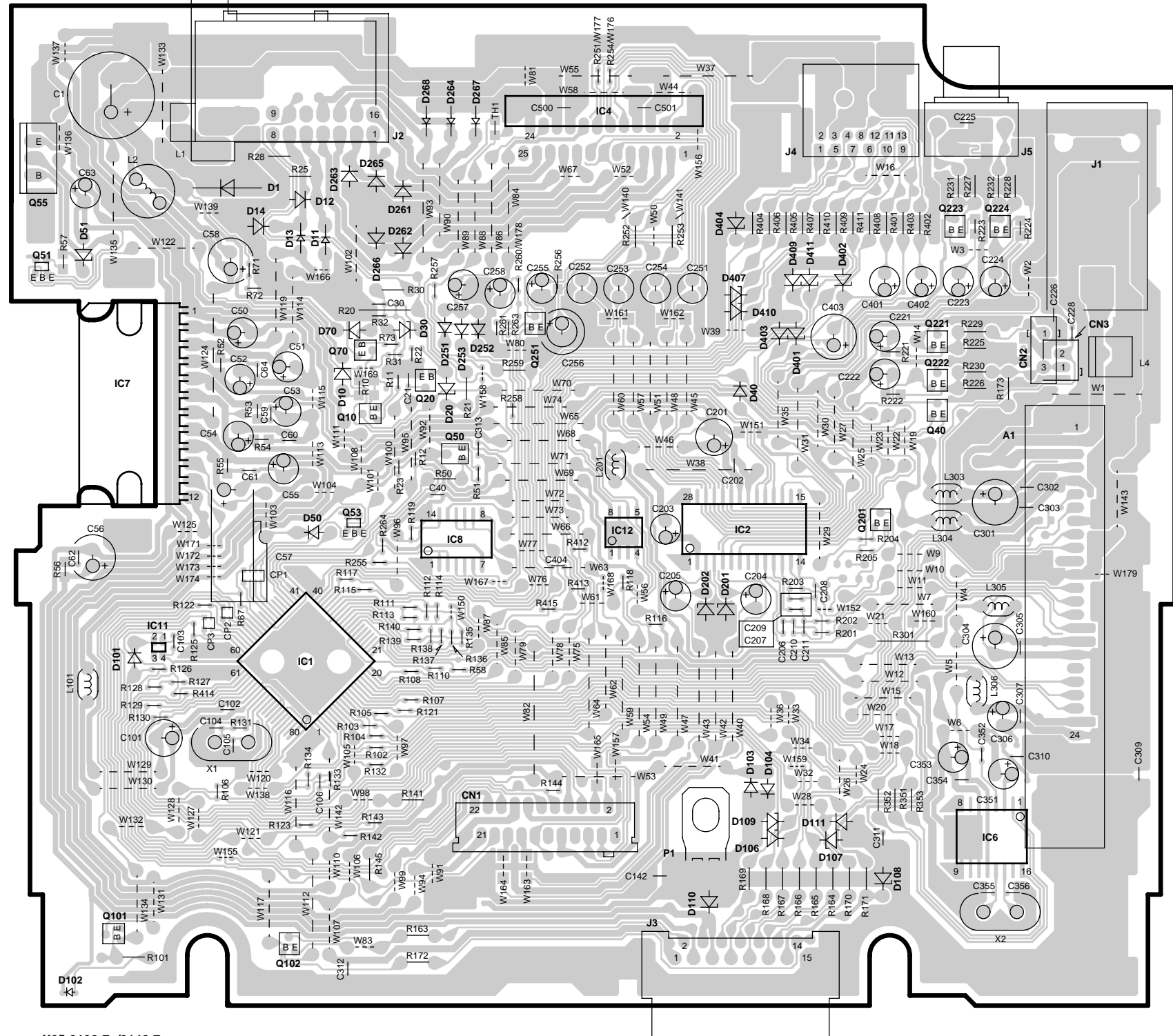


X16-1472-7x

X16-1482-7x

IC	Q	Address
1	4D	4D
1	4D	4D

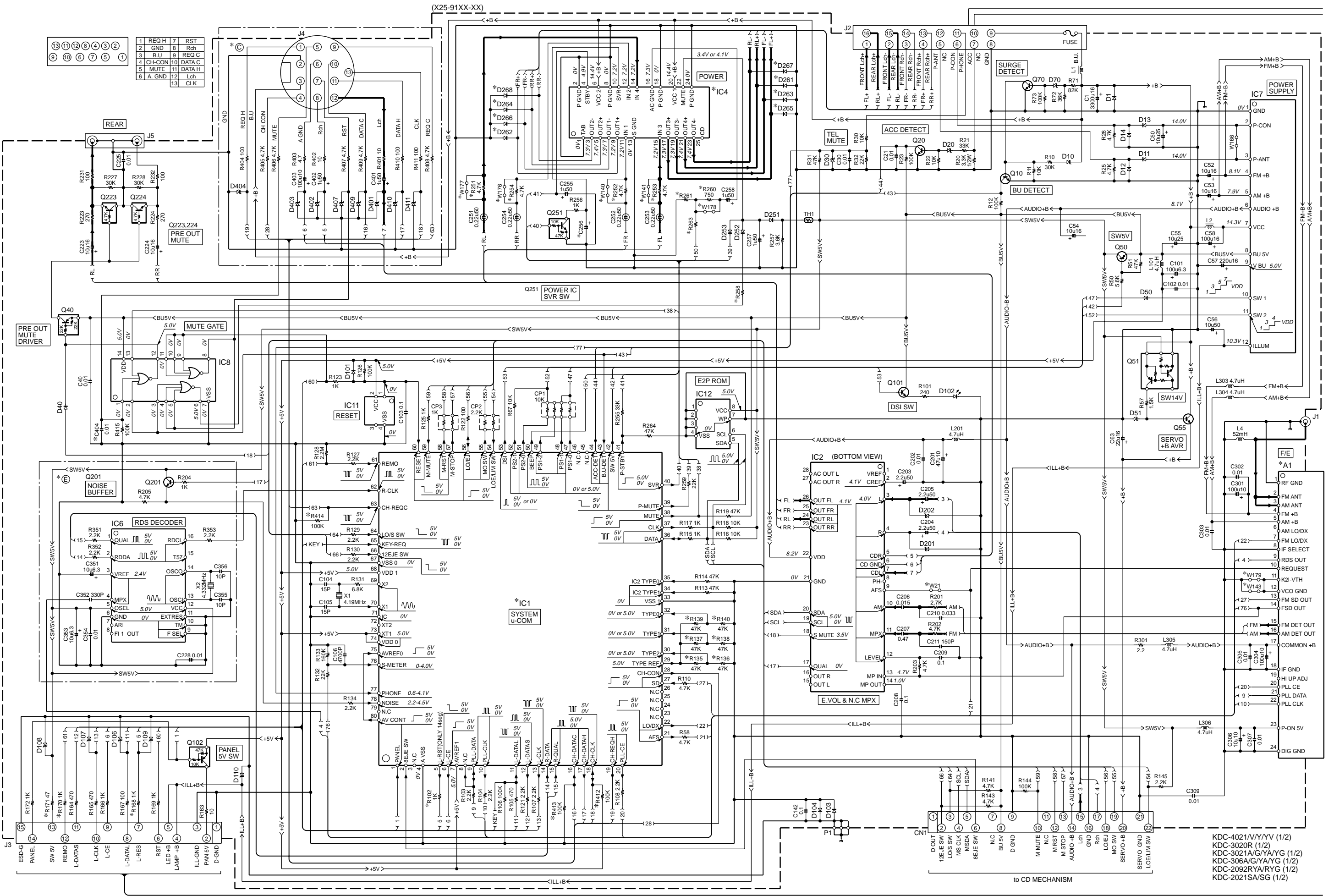
X25-9142-7x (J74-1368-12)
X25-9120-xx/913x-xx (J74-1290-12)



X25-9132-7x/9142-7x

IC	Q	Address	IC	Q	Address	IC	Q	Address	IC	Q	Address
1	5F	8	4G	40	3I	101	6E	251	3G		
2	4H	11	5E	50	4G	102	6F				
4	2H	12	4H	51	3E	201	4I				
6	5I	10	3F	55	2E	223	2I				
7	3E	20	3G	70	3F	224	2I				

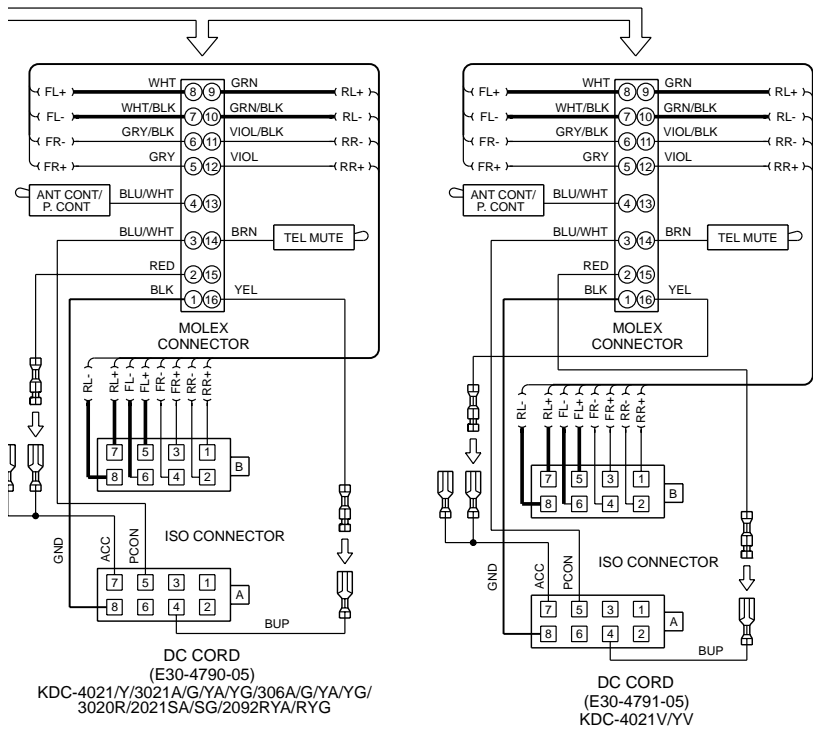
Refer to the schematic diagram for the values of resistors and capacitors.



1	REQ H	7	RST
2	GND	8	Rch
3	B.U	9	REQ C
4	CH-CON	10	DATA C
5	MUTE	11	DATA H
6	A. GND	12	Lch
		13	CLK

- KDC-4021V/Y/YV (1/2)
- KDC-3020R (1/2)
- KDC-3021A/G/YA/YG (1/2)
- KDC-306A/G/YA/YG (1/2)
- KDC-2092RYA/YRG (1/2)
- KDC-2021SA/SG (1/2)

to CD MECHANISM

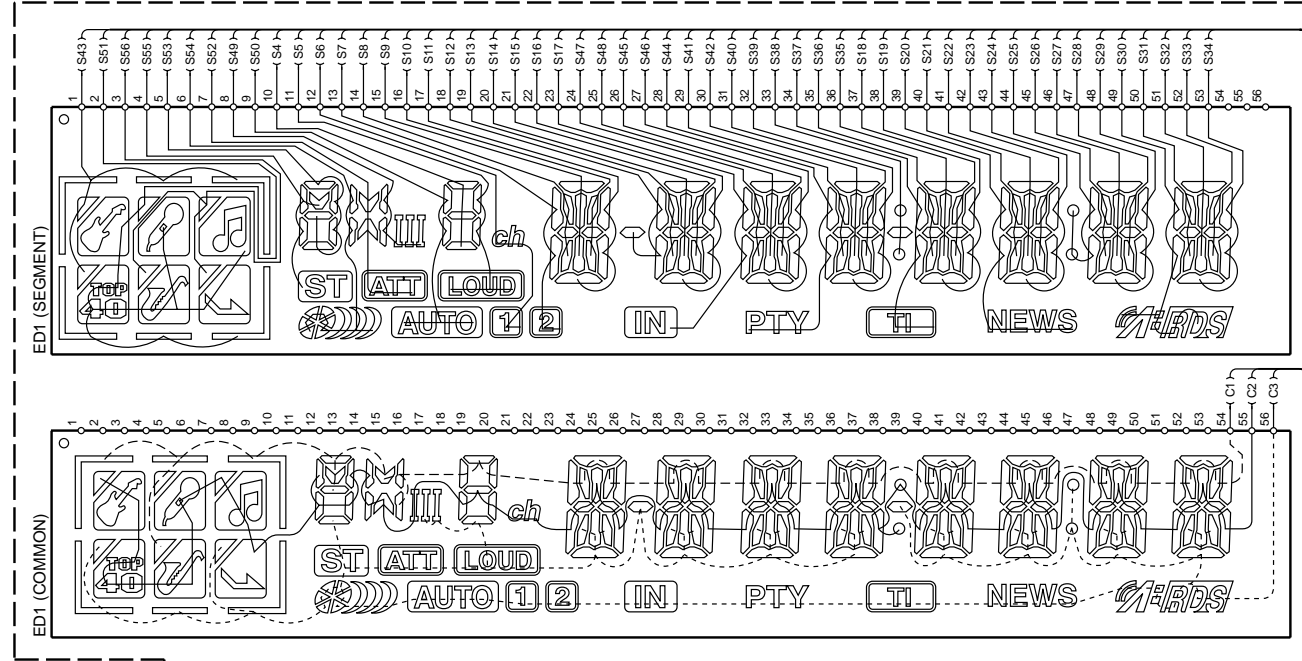


MODEL NAME	UNIT No.	©	Ⓔ	C256	C404	D261-268	IC1 (UPD780058GCXXX)	IC4	J3	R102,168	R135	R136
KDC-4021 (E)	42-70	YES	YES	33u50	YES	YES	427	TDA7560	E58-0879	YES	NO	YES
KDC-4021Y (E)	32-70	NO	NO	33u50	NO	NO	427	TDA7560	E58-0879	YES	YES	NO
KDC-4021V (E)	42-71	YES	YES	33u50	YES	YES	427	TDA7560	E58-0879	YES	YES	NO
KDC-4021YV (E)	32-71	NO	NO	33u50	NO	NO	427	TDA7560	E58-0879	YES	YES	NO
KDC-3020R (M)	30-21	YES	YES	33u50	YES	YES	427	TDA7560	E58-0879	YES	NO	YES
KDC-3021A (E)	42-72	NO	NO	33u50	NO	NO	427	TDA7560	E58-0879	YES	YES	NO
KDC-306A (E)	42-74	NO	YES	33u50	NO	YES	427	TDA7560	E58-0879	YES	YES	NO
KDC-3021YA (E)	42-72	NO	NO	33u50	NO	NO	427	TDA7560	E58-0879	YES	YES	NO
KDC-306YA (E)	32-72	NO	NO	33u50	NO	NO	427	TDA7560	E58-0879	YES	YES	NO
KDC-306Y (E)	42-73	NO	YES	33u50	NO	YES	427	TDA7560	E58-0879	YES	NO	YES
KDC-3021G (E)	42-75	NO	YES	33u50	NO	YES	427	TDA7560	E58-0879	YES	NO	YES
KDC-3021YG (E)	32-73	NO	NO	33u50	NO	NO	427	TDA7560	E58-0879	YES	NO	YES
KDC-306YG (E)	42-73	NO	YES	33u50	NO	YES	428	TDA7560	E58-0879	YES	YES	NO
KDC-2092RYA (E)	32-74	NO	YES	33u50	NO	YES	428	TDA7560	E58-0879	YES	NO	YES
KDC-2092RYG (E)	32-75	NO	YES	33u50	NO	YES	428	TDA7560	E58-0879	YES	NO	YES
KDC-2021SA (E)	42-76	NO	NO	100u50	NO	NO	429	TDA7386	E58-0879	NO	NO	YES
KDC-2021SG (E)	42-76	NO	YES	100u50	YES	NO	429	TDA7386	E58-0879	NO	NO	YES

UNIT No.	R137	R138	R139,170,171,412-414	R140	R251-254,260	R258	R261	R263	W21,140,141,176-178	W143	W179	A1 (F/E)
42-70	NO	YES	YES	NO	NO	220	10	4.3K	YES	NO	YES	X86-3512-70
32-70	NO	YES	YES	NO	NO	220	10	4.3K	YES	NO	YES	X86-3512-70
42-71	NO	YES	YES	NO	NO	220	10	4.3K	YES	NO	YES	X86-3512-70
32-71	NO	YES	YES	NO	NO	220	10	4.3K	YES	NO	YES	X86-3512-70
30-21	YES	NO	YES	NO	NO	220	10	4.3K	YES	NO	YES	X86-3512-70
42-72	NO	YES	NO	YES	NO	220	10	4.3K	YES	NO	YES	X86-3512-70
42-74	NO	YES	NO	YES	NO	220	10	4.3K	YES	NO	YES	X86-3512-70
32-72	NO	YES	NO	YES	NO	220	10	4.3K	YES	NO	YES	X86-3512-70
42-73	NO	YES	NO	YES	NO	220	10	4.3K	YES	NO	YES	X86-3512-70
42-75	NO	YES	NO	YES	NO	220	10	4.3K	YES	NO	YES	X86-3512-70
32-73	NO	YES	NO	YES	NO	220	10	4.3K	YES	NO	YES	X86-3512-70
32-74	NO	YES	NO	YES	NO	220	10	4.3K	YES	YES	NO	X86-3512-72
32-75	NO	YES	NO	YES	NO	220	10	4.3K	YES	YES	NO	X86-3512-72
42-76	NO	YES	NO	YES	YES	100	430	180K	NO	NO	YES	X86-3522-71

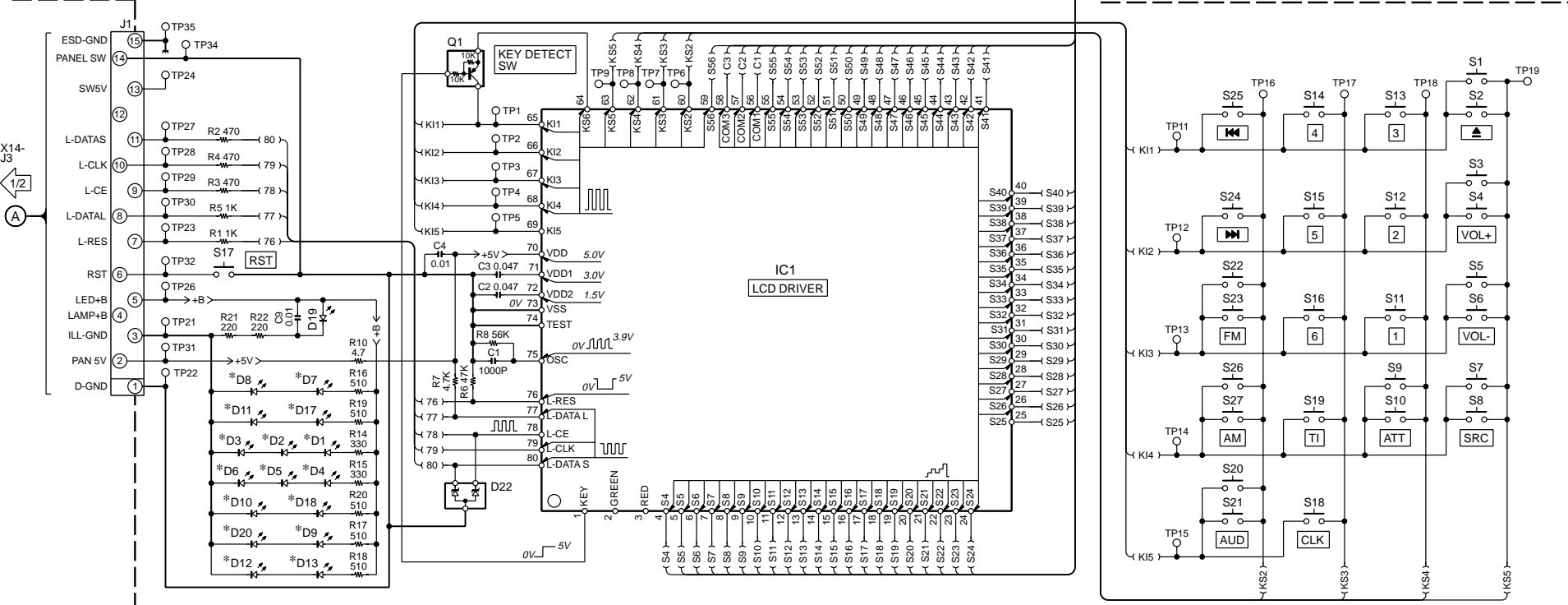
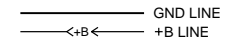
- IC1 : *
- IC2 : TDA7407D
- IC4 : *
- IC6 : TDA7479D
- IC7 : BA4911-V4
- IC8 : HD74HC27FP
- IC11 : S-80835ANNP
- IC12 : BR24C01AF
- Q10,20,70,201 : 2SC4081 or 2SD1819A
- Q40 : DTA124EUA or UN5112
- Q50 : 2SA1036K
- Q51 : 2SD2375 or 2SD2396
- Q55 : DTA114YUA or UN5114
- Q223,224 : DTC143TUA or UN5216
- Q251 : DTC114YUA or UN5214
- D1 : 1N5393G-M6
- D10,20,70,201,202,401,402 : *
- D11,13,264,267,268 : D1F60
- D12,14,261-263,265,266 : *
- D30 : AM01Z or DSM1SD2 or ERA15-02
- D40,50,101,103,104,251-253 : MA4047-M or HZS5B1
- D51 : 1SS133
- D102 : MA4082(N)-L or HZS9A1L
- D106-109,403,404,407,409-411 : B30-1567-05
- D110 : MA4062-L or HZS12A2
- SIGNAL LINE
- +B LINE

SWITCH UNIT (X16-14XX-XX)

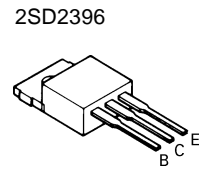


- IC1 : LC75883E
- Q1 : DTA114EUA
- D1-13,17,18,20 : *
- D19 : B30-1633-05
- D22 : MA3062WA

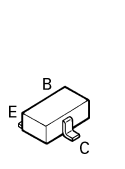
MODEL NAME	UNIT No.	D1-13,17,18,20
KDC-3021A (E)	X16-1482-72	B30-1567-05 (RED)
KDC-306A (E)	X16-1472-72	B30-1567-05 (RED)
KDC-3021YA (E)	X16-1482-73	B30-1533-05 (GREEN)
KDC-2092RYA (E)	X16-1472-73	B30-1533-05 (GREEN)
KDC-3021G (E)	X16-1472-73	B30-1533-05 (GREEN)
KDC-306Y (E)	X16-1472-73	B30-1533-05 (GREEN)
KDC-2092RYG (E)	X16-1472-73	B30-1533-05 (GREEN)



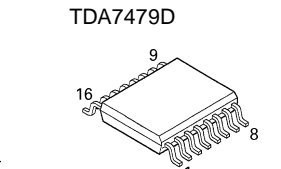
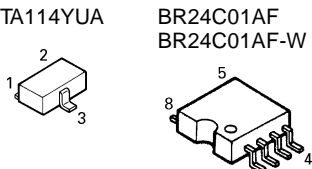
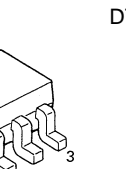
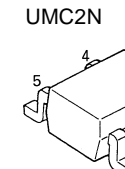
KDC-3021A/G/YA/YG/306A/G/YA/YG/2092RYA/RYG (2/2)



- DTC114YUA
DTC143TUA
UN5111
UN5114
UN5214
UN5216
2SA1036K
2SD1819A

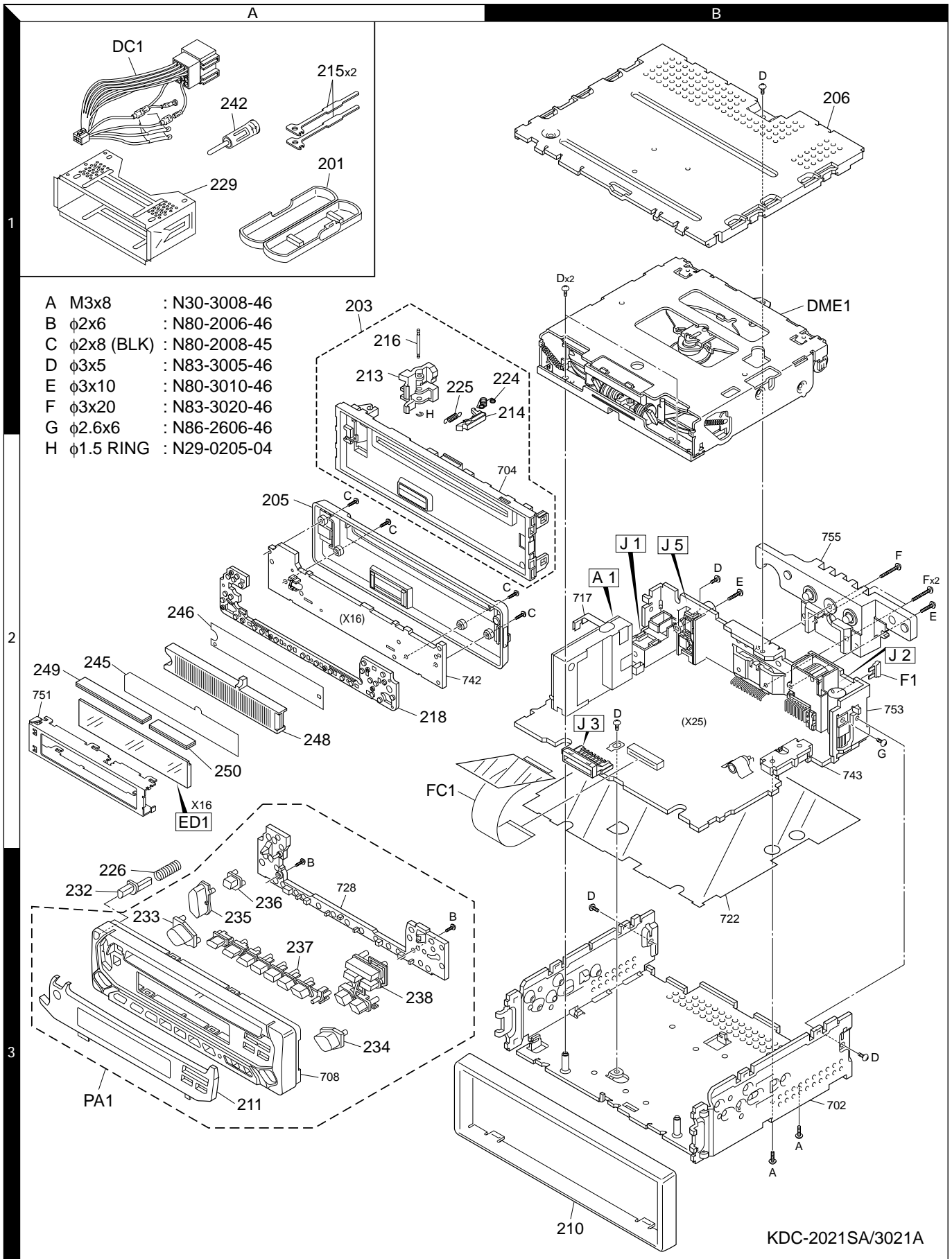


- DTA114EUA
DTA124EUA



CAUTION : For continued safety, replace safety critical components only with manufacturer's recommended parts (refer to parts list).
 ⚠ Indicates safety critical components. To reduce the risk of electric shock, leakage-current or resistance measurements shall be carried out (exposed parts are acceptably insulated from the supply circuit) before the appliance is returned to the customer.
 • DC voltages are as measured with a high impedance voltmeter. Values may vary slightly due to variations between individual instruments or/and units.

EXPLODED VIEW



PARTS LIST

* New parts

Parts without **Parts No.** are not supplied.

Les articles non mentionnes dans le **Parts No.** ne sont pas fournis.

Teile ohne **Parts No.** werden nicht geliefert.

Ref. No.	A d d	N e w	Parts No.	Description	Desti- nation
KDC-2092RYA/RYG, 3021A/G/YA/YG, 306A/G/YA/YG					
201	1A		A02-1486-13	PLASTIC CABINET ASSY	
203	1A		A22-2863-03	SUB PANEL ASSY	
205	2A	*	A46-1750-01	REAR COVER	
206	1B	*	A52-0804-02	TOP PLATE	
PA1	3A	*	A64-2553-02	PANEL ASSY	E0E1
PA1	3A	*	A64-2553-02	PANEL ASSY	E2E3
PA1	3A	*	A64-2563-02	PANEL ASSY	E4E5
PA1	3A	*	A64-2565-02	PANEL ASSY	E6E7
PA1	3A	*	A64-2565-02	PANEL ASSY	E8E9
210	3B		B07-3054-02	ESCUTCHEON	
211	3A	*	B10-4139-01	FRONT GLASS	E0E1
211	3A	*	B10-4139-01	FRONT GLASS	E2E3
211	3A	*	B10-4140-01	FRONT GLASS	E4E5
211	3A	*	B10-4142-01	FRONT GLASS	E6E7
211	3A	*	B10-4142-01	FRONT GLASS	E8E9
-			B46-0100-50	WARRANTY CARD	E0E1
-			B46-0100-50	WARRANTY CARD	E6E7
-			B46-0182-14	ID CARD	E0E1
-			B46-0182-14	ID CARD	E6E7
-			B46-0606-04	ID CARD	E2E3E4
-			B46-0606-04	ID CARD	E5E8E9
-			B58-1365-04	CAUTION CARD	
-		*	B64-2112-00	INSTRUCTION MANUAL (ENGLISH)	E0E1
-		*	B64-2112-00	INSTRUCTION MANUAL (ENGLISH)	E6E7
-		*	B64-2113-00	INSTRUC. MANUAL (FRE.GER.ITA.)	E0E1
-		*	B64-2113-00	INSTRUC. MANUAL (FRE.GER.ITA.)	E6E7
-		*	B64-2119-00	INSTRUC. MANUAL (ENG.RUS.POL.)	E2E3E4
-		*	B64-2119-00	INSTRUC. MANUAL (ENG.RUS.POL.)	E5E8E9
-		*	B64-2120-00	INSTRUC. MANUAL (CZE.HUN.CRO.)	E2E3E4
-		*	B64-2120-00	INSTRUC. MANUAL (CZE.HUN.CRO.)	E5E8E9
-		*	B64-2121-00	INSTRUCTION MANUAL (SWE.FIN.)	E2E3E4
-		*	B64-2121-00	INSTRUCTION MANUAL (SWE.FIN.)	E5E8E9
-		*	B64-2231-00	INSTRUC. MANUAL (DUT.SPA.POR.)	E0E1
-		*	B64-2231-00	INSTRUC. MANUAL (DUT.SPA.POR.)	E6E7
213	1A		D10-4446-03	LEVER	
214	2A		D10-4447-03	LEVER	
215	1A		D10-4589-04	LEVER	
216	1A		D21-2329-04	SHAFT	
218	2A	*	E29-1872-02	CONDUCTIVE RUBBER	
△ DC1	1A		E30-4790-05	DC CORD	
FC1	2A		E39-0343-05	FLAT CABLE	
△ F1	2B		F52-0006-05	FUSE (MINI BLADE TYPE)	
224	1A	*	G01-2987-04	TORSION COIL SPRING	
225	1A	*	G01-3096-04	EXTENSION SPRING	
226	3A	*	G01-3149-04	COMPRESSION SPRING	
-		*	H10-4800-02	POLYSTYRENE FOAMED FIXTURE	E0E1
-		*	H10-4800-02	POLYSTYRENE FOAMED FIXTURE	E6E7
-		*	H10-4801-02	POLYSTYRENE FOAMED FIXTURE	E2E3E4
-		*	H10-4801-02	POLYSTYRENE FOAMED FIXTURE	E5E8E9
-			H25-0329-04	PROTECTION BAG (280X450X0.03)	E2E3E4
-			H25-0329-04	PROTECTION BAG (280X450X0.03)	E5E8E9

Ref. No.	A d d	N e w	Parts No.	Description	Desti- nation
-			H25-0337-04	PROTECTION BAG (180X300X0.03)	
-			H25-1111-04	PROTECTION BAG (280X450X0.03)	E0E1
-			H25-1111-04	PROTECTION BAG (280X450X0.03)	E6E7
-		*	H54-2280-03	ITEM CARTON CASE	E2
-		*	H54-2281-03	ITEM CARTON CASE	E3
-		*	H54-2282-03	ITEM CARTON CASE	E4
-		*	H54-2287-03	ITEM CARTON CASE	E0
-		*	H54-2288-03	ITEM CARTON CASE	E1
-		*	H54-2305-03	ITEM CARTON CASE	E6
-		*	H54-2350-03	ITEM CARTON CASE	E5
-		*	H54-2430-03	ITEM CARTON CASE	E7
-		*	H54-2485-03	ITEM CARTON CASE	E8
-		*	H54-2486-03	ITEM CARTON CASE	E9
229	1A		J21-9641-13	MOUNTING HARDWARE ASSY	
232	3A	*	K24-3822-04	KNOB (RELEASE)	
233	3A	*	K24-3823-04	KNOB (SRC)	
234	3A	*	K24-3824-04	KNOB (AUD)	
235	3A	*	K24-3825-03	KNOB (VOL)	
236	3A	*	K24-3826-04	KNOB (EJECT)	
237	3A	*	K25-1396-03	KNOB (PRE1-6,ATT,RESET)	
238	3A	*	K25-1397-03	KNOB (AUTO,CLK,FM,AM)	
A	3B		N30-3008-46	PAN HEAD MACHINE SCREW	
B	3A		N80-2006-46	PAN HEAD TAPTITE SCREW	
C	2A		N80-2008-45	PAN HEAD TAPTITE SCREW	
D	1B		N83-3005-46	PAN HEAD TAPTITE SCREW	
H	1A		N29-0205-04	RETAINING RING (1.5)	
242	1A		T90-0523-05	ANTENNA ADAPTOR	
DME1	1B	*	X92-4030-00	MECHANISM ASSY	E2E3E4
DME1	1B	*	X92-4030-00	MECHANISM ASSY	E5E8E9
DME1	1B	*	X92-4030-01	MECHANISM ASSY	E0E1
DME1	1B	*	X92-4030-01	MECHANISM ASSY	E6E7
SWITCH UNIT (X16-1472-7x/1482-7x)					
245	2A	*	B11-1358-04	OPTICAL DIFFUSER	
246	2A	*	B11-1359-04	REFLECTION SHEET	
248	2A	*	B19-2130-03	LIGHTING BOARD	
D1-13			B30-1533-05	LED (1608,PG)	E1E7
D1-13			B30-1533-05	LED (1608,PG)	E3E5E9
D1-13			B30-1567-05	LED (1608,RED)	E0E6
D1-13			B30-1567-05	LED (1608,RED)	E2E4E8
D17,18			B30-1533-05	LED (1608,PG)	E1E7
D17,18			B30-1533-05	LED (1608,PG)	E3E5E9
D17,18			B30-1567-05	LED (1608,RED)	E0E6
D17,18			B30-1567-05	LED (1608,RED)	E2E4E8
D19			B30-1633-05	LED (WHITE)	
D20			B30-1533-05	LED (1608,PG)	E1E7
D20			B30-1533-05	LED (1608,PG)	E3E5E9
D20			B30-1567-05	LED (1608,RED)	E0E6
D20			B30-1567-05	LED (1608,RED)	E2E4E8
ED1		*	B38-1083-05	LIQUID CRYSTAL	
C1			CK73GB1H102K	CHIP C 1000PF K	
C2,3			CK73GB1E473K	CHIP C 0.047UF K	
C2,3			CK73GB1H473K	CHIP C 0.047UF K	

E0 : KDC-3021A E4 : KDC-2092RYA E6 : KDC-306A
 E1 : KDC-3021G E5 : KDC-2092RYG E7 : KDC-306G
 12 E2 : KDC-3021YA E8 : KDC-306YA
 E3 : KDC-3021YG E9 : KDC-306YG

△ Indicates safety critical components.

PARTS LIST

* New parts

Parts without **Parts No.** are not supplied.

Les articles non mentionnes dans le **Parts No.** ne sont pas fournis.

Teile ohne **Parts No.** werden nicht geliefert.

SWITCH UNIT (X16-1472-7x/1482-7x)

Ref. No.	A d d	N e w	Parts No.	Description	Desti- nation
C4			CK73GB1H103K	CHIP C 0.010UF K	
C9			CK73GB1H103K	CHIP C 0.010UF K	
249	2A		E29-1829-04	CONDUCTIVE RUBBER	
250	2A		E29-1834-04	CONDUCTIVE RUBBER	
J1			E59-0828-05	RECTANGULAR PLUG	
-		*	J19-5130-04	HOLDER (LED)	
R1			RK73GB2A102J	CHIP R 1.0K J 1/10W	
R2-4			RK73GB2A471J	CHIP R 470 J 1/10W	
R5			RK73GB2A102J	CHIP R 1.0K J 1/10W	
R6			RK73GB2A473J	CHIP R 47K J 1/10W	
R7			RK73GB2A472J	CHIP R 4.7K J 1/10W	
R8			RK73GB2A563J	CHIP R 56K J 1/10W	
R10			RK73GB2A4R7J	CHIP R 4.7 J 1/10W	
R14,15			RK73FB2B331J	CHIP R 330 J 1/8W	
R16-20			RK73FB2B511J	CHIP R 510 J 1/8W	
R21,22			RK73FB2B221J	CHIP R 220 J 1/8W	
D22			MA3062WA	ZENER DIODE	
IC1			LC75883E	MOS-IC	
Q1			DTA114EUA	DIGITAL TRANSISTOR	
Q1			UN5111	DIGITAL TRANSISTOR	

ELECTRIC UNIT (X25-9132-7x/9142-7x)

Ref. No.	A d d	N e w	Parts No.	Description	Desti- nation
D102			B30-1567-05	LED (1608,RED)	
C1			C90-5242-05	ELECTRO 3300UF 16WV	
C21			CK73GB1H103K	CHIP C 0.010UF K	
C30			CK73GB1H103K	CHIP C 0.010UF K	
C40			CK73GB1H103K	CHIP C 0.010UF K	
C50			CE04NW1E100M	ELECTRO 10UF 25WV	
C52-54			CE04NW1C100M	ELECTRO 10UF 16WV	
C55			CE04NW1E100M	ELECTRO 10UF 25WV	
C56			CE04CW1H100M	ELECTRO 10UF 50WV	
C57			C90-2980-05	ELECTRO 220UF 16WV	
C58			C90-2962-05	ELECTRO 100UF 16WV	
C63			CE04NW1C220M	ELECTRO 22UF 16WV	
C101			CE04NW0J101M	ELECTRO 100UF 6.3WV	
C102			CK73GB1H103K	CHIP C 0.010UF K	
C103			CK73GB1C104K	CHIP C 0.10UF K	
C103			CK73GB1H104K	CHIP C 0.10UF K	
C104,105			CC73GCH1H150J	CHIP C 15PF J	
C106			CK73GB1H472K	CHIP C 4700PF K	
C142			CK73GB1C104K	CHIP C 0.10UF K	
C142			CK73GB1H104K	CHIP C 0.10UF K	
C201			CE04NW1A470M	ELECTRO 47UF 10WV	
C202			CK73GB1H103K	CHIP C 0.010UF K	
C203-205			CE04NW1H2R2M	ELECTRO 2.2UF 50WV	
C206			CK73GB1H153K	CHIP C 0.015UF K	
C207			CK73GB1A474K	CHIP C 0.47UF K	
C208,209			CK73GB1C104K	CHIP C 0.10UF K	
C208,209			CK73GB1H104K	CHIP C 0.10UF K	
C210			CK73GB1E333K	CHIP C 0.033UF K	
C210			CK73GB1H333K	CHIP C 0.033UF K	
C211			CC73GCH1H151J	CHIP C 150PF J	
C223,224			C90-2597-05	ELECTRO 10UF 16WV	

Ref. No.	A d d	N e w	Parts No.	Description	Desti- nation
C225			CK73GB1H103K	CHIP C 0.010UF K	
C228			CK73GB1H103K	CHIP C 0.010UF K	
C251-254			C90-5296-05	NP-ELECT 0.22UF 50WV	
C255			CE04NW1H010M	ELECTRO 1.0UF 50WV	
C256			CE04NW1A330M	ELECTRO 33UF 10WV	
C257			CE04NW1H010M	ELECTRO 1.0UF 50WV	
C258			C90-2935-05	ELECTRO 1.0UF 50WV	
C301			CE04NW1A101M	ELECTRO 100UF 10WV	
C302,303			CK73GB1H103K	CHIP C 0.010UF K	
C304			CE04CW1A101M	ELECTRO 100UF 10WV	
C305			CK73GB1H103K	CHIP C 0.010UF K	
C306			C90-2594-05	ELECTRO 10UF 10WV	
C307			CK73GB1H103K	CHIP C 0.010UF K	
C309			CK73GB1H103K	CHIP C 0.010UF K	E2E3E8
C309			CK73GB1H103K	CHIP C 0.010UF K	E6E7
C309			CK73GB1H103K	CHIP C 0.010UF K	E9E0E1
C309,310			CK73GB1H103K	CHIP C 0.010UF K	E4E5
C351			C90-2592-05	ELECTRO 10UF 6.3WV	
C352			CC73GCH1H331J	CHIP C 330PF J	
C353			C90-2592-05	ELECTRO 10UF 6.3WV	
C354			CK73GB1H103K	CHIP C 0.010UF K	
C355,356			CC73GCH1H100D	CHIP C 10PF D	
CN1			E40-9550-05	FLAT CABLE CONNECTOR	
J1			E04-0312-05	RF COAXIAL CABLE RECEPTACLE	
J2			E58-0863-15	RECTANGULAR RECEPTACLE	
J3			E58-0879-05	RECTANGULAR RECEPTACLE	
J5			E63-0852-05	PIN JACK	
L1			L33-1170-05	CHOKE COIL ASSY	
L2			L33-1807-05	CHOKE COIL	
L4			L33-1123-05	LINE FILTER COIL	
L101			L40-4795-91	SMALL FIXED INDUCTOR (4.7UH,J)	
L201			L40-4795-91	SMALL FIXED INDUCTOR (4.7UH,J)	
L303-306			L40-4795-91	SMALL FIXED INDUCTOR (4.7UH,J)	
X1			L77-1167-05	CRYSTAL RESONATOR (4.19M)	
X2			L77-2002-05	CRYSTAL RESONATOR	
D	2B		N83-3005-46	PAN HEAD TAPTITE SCREW	
E	2B		N80-3010-46	PAN HEAD TAPTITE SCREW	
F	2B		N83-3020-46	PAN HEAD TAPTITE SCREW	
G	2B		N86-2606-46	BINDING HEAD TAPTITE SCREW	
CP1			R90-1056-05	MULTIPLE RESISTOR	
CP2			R90-1047-05	MULTIPLE RESISTOR	
CP3			R90-1046-05	MULTIPLE RESISTOR	
R10			RK73FB2B303J	CHIP R 30K J 1/8W	
R11			RK73GB2A103J	CHIP R 10K J 1/10W	
R12			RK73GB2A104J	CHIP R 100K J 1/10W	
R20			RD14DB2H332J	SMALL-RD 3.3K J 1/2W	
R22			RK73GB2A103J	CHIP R 10K J 1/10W	
R23			RK73GB2A104J	CHIP R 100K J 1/10W	
R31			RK73GB2A473J	CHIP R 47K J 1/10W	
R32			RK73GB2A223J	CHIP R 22K J 1/10W	
R51			RK73GB2A473J	CHIP R 47K J 1/10W	
R57			RK73FB2B152J	CHIP R 1.5K J 1/8W	
R58			RK73GB2A472J	CHIP R 4.7K J 1/10W	
R67			RK73GB2A103J	CHIP R 10K J 1/10W	

E0 : KDC-3021A
E1 : KDC-3021G
E2 : KDC-3021YA
E3 : KDC-3021YG

E4 : KDC-2092RYA
E5 : KDC-2092RYG

E6 : KDC-306A
E7 : KDC-306G
E8 : KDC-306YA
E9 : KDC-306YG

△ Indicates safety critical components.

PARTS LIST

* New parts

Parts without **Parts No.** are not supplied.

Les articles non mentionnes dans le **Parts No.** ne sont pas fournis.

Teile ohne **Parts No.** werden nicht geliefert.

ELECTRIC UNIT (X25-9132-7x/9142-7x)

Ref. No.	A d d	N e w	Parts No.	Description	Desti- nation
R71		*	RK73GB2A823J	CHIP R 82K J 1/10W	
R72		*	RK73GB2A363J	CHIP R 36K J 1/10W	
R73			RK73GB2A104J	CHIP R 100K J 1/10W	
R102			RK73GB2A102J	CHIP R 1.0K J 1/10W	
R103,104			RK73GB2A222J	CHIP R 2.2K J 1/10W	
R105			RK73GB2A471J	CHIP R 470 J 1/10W	
R106			RK73GB2A104J	CHIP R 100K J 1/10W	
R107,108			RK73GB2A222J	CHIP R 2.2K J 1/10W	
R110			RK73GB2A472J	CHIP R 4.7K J 1/10W	
R113,114			RK73GB2A473J	CHIP R 47K J 1/10W	
R115			RK73GB2A102J	CHIP R 1.0K J 1/10W	
R116			RK73GB2A103J	CHIP R 10K J 1/10W	
R117			RK73GB2A102J	CHIP R 1.0K J 1/10W	
R118			RK73GB2A103J	CHIP R 10K J 1/10W	
R119			RK73GB2A473J	CHIP R 47K J 1/10W	
R121			RK73GB2A222J	CHIP R 2.2K J 1/10W	
R122			RK73GB2A101J	CHIP R 100 J 1/10W	
R123			RK73GB2A102J	CHIP R 1.0K J 1/10W	
R125			RK73GB2A102J	CHIP R 1.0K J 1/10W	
R126			RK73GB2A104J	CHIP R 100K J 1/10W	
R127			RK73GB2A222J	CHIP R 2.2K J 1/10W	
R128			RK73GB2A225J	CHIP R 2.2M J 1/10W	
R129,130			RK73GB2A222J	CHIP R 2.2K J 1/10W	
R131			RK73GB2A682J	CHIP R 6.8K J 1/10W	
R132			RK73GB2A223J	CHIP R 22K J 1/10W	
R133			RK73GB2A164J	CHIP R 160K J 1/10W	
R134			RK73GB2A222J	CHIP R 2.2K J 1/10W	
R135			RK73GB2A473J	CHIP R 47K J 1/10W	E0E6
R135			RK73GB2A473J	CHIP R 47K J 1/10W	E2E4E8
R136			RK73GB2A473J	CHIP R 47K J 1/10W	E1E7
R136			RK73GB2A473J	CHIP R 47K J 1/10W	E3E5E9
R138			RK73GB2A473J	CHIP R 47K J 1/10W	
R140			RK73GB2A473J	CHIP R 47K J 1/10W	
R143			RK73GB2A472J	CHIP R 4.7K J 1/10W	
R144			RK73GB2A104J	CHIP R 100K J 1/10W	
R201			RK73GB2A272J	CHIP R 2.7K J 1/10W	
R202,203			RK73GB2A472J	CHIP R 4.7K J 1/10W	
R204			RK73GB2A102J	CHIP R 1.0K J 1/10W	
R205			RK73GB2A472J	CHIP R 4.7K J 1/10W	
R223,224			RK73FB2B271J	CHIP R 270 J 1/8W	
R255			RK73GB2A333J	CHIP R 33K J 1/10W	
R256			RK73FB2B102J	CHIP R 1.0K J 1/8W	
R257		*	RK73GB2A362J	CHIP R 3.6K J 1/10W	
R258		*	RK73GB2A221J	CHIP R 220 J 1/10W	
R261		*	RK73GB2A100J	CHIP R 10 J 1/10W	
R263			RK73GB2A432J	CHIP R 4.3K J 1/10W	
R264			RK73GB2A473J	CHIP R 47K J 1/10W	
R415			RK73GB2A104J	CHIP R 100K J 1/10W	
W150			R92-1252-05	CHIP R 0 OHM J 1/16W	
W151			R92-2053-05	CHIP R 0 J 1/8W	
W152			R92-1252-05	CHIP R 0 OHM J 1/16W	
W155			R92-1252-05	CHIP R 0 OHM J 1/16W	
W156,157			R92-2053-05	CHIP R 0 J 1/8W	
W158,159			R92-1252-05	CHIP R 0 OHM J 1/16W	
W160-165			R92-2053-05	CHIP R 0 J 1/8W	

Ref. No.	A d d	N e w	Parts No.	Description	Desti- nation
W166-169			R92-1252-05	CHIP R 0 OHM J 1/16W	
W171-174			R92-1252-05	CHIP R 0 OHM J 1/16W	
W176-178			R92-1252-05	CHIP R 0 OHM J 1/16W	
W179			R92-2052-05	CHIP R 0 OHM J 1/10W	E2E3E8
W179			R92-2052-05	CHIP R 0 OHM J 1/10W	E6E7
W179			R92-2052-05	CHIP R 0 OHM J 1/10W	E9E0E1
D1			S2V20*A	DIODE	
D1			1N5393G-M6	DIODE	
D10			MA4068(N)-M	ZENER DIODE	
D11			D1F60	DIODE	
D12			AM01Z	DIODE	
D12			DSM1SD2	DIODE	
D12			ERA15-02	DIODE	
D13			D1F60	DIODE	
D14			AM01Z	DIODE	
D14			DSM1SD2	DIODE	
D14			ERA15-02	DIODE	
D20			MA4068(N)-M	ZENER DIODE	
D30			HZS5B1	ZENER DIODE	E2E3E4
D30			HZS5B1	ZENER DIODE	E5E8E9
D30			MA4047-M	ZENER DIODE	
D40			1SS133	DIODE	
D50			1SS133	DIODE	
D51			HZS9A1L	ZENER DIODE	E2E3E4
D51			HZS9A1L	ZENER DIODE	E5E8E9
D51			MA4082(N)-L	ZENER DIODE	
D70			MA4068(N)-M	ZENER DIODE	
D101			1SS133	DIODE	
D103,104			1SS133	DIODE	
D106-109			HZS6C1	ZENER DIODE	E2E3E4
D106-109			HZS6C1	ZENER DIODE	E5E8E9
D106-109			MA4062-L	ZENER DIODE	
D110		*	HZS12A2	ZENER DIODE	
D201,202			MA4068(N)-M	ZENER DIODE	
D251-253			1SS133	DIODE	
D261-263			AM01Z	DIODE	
D261-263			DSM1SD2	DIODE	
D261-263			ERA15-02	DIODE	
D264			D1F60	DIODE	E0E1E6
D264			D1F60	DIODE	E7
D264		*	S1J	DIODE	
D265,266			AM01Z	DIODE	
D265,266			DSM1SD2	DIODE	
D265,266			ERA15-02	DIODE	
D267,268			D1F60	DIODE	E0E1E6
D267,268			D1F60	DIODE	E7
D267,268		*	S1J	DIODE	
IC1		*	UPD780058GC427	MI-COM IC	E2E3E8
IC1		*	UPD780058GC427	MI-COM IC	E6E7
IC1		*	UPD780058GC427	MI-COM IC	E9E0E1
IC1			UPD780058GC428	MI-COM IC	E4E5
IC2			TDA7407D	ANALOGUE IC	
IC4		*	TDA7560	ANALOGUE IC	
IC6			TDA7479D	ANALOGUE IC	

△ Indicates safety critical components.

E0 : KDC-3021A

E4 : KDC-2092RYA

E6 : KDC-306A

E1 : KDC-3021G

E5 : KDC-2092RYG

E7 : KDC-306G

E2 : KDC-3021YA

E8 : KDC-306YA

E3 : KDC-3021YG

E9 : KDC-306YG

PARTS LIST

* New parts

Parts without **Parts No.** are not supplied.

Les articles non mentionnes dans le **Parts No.** ne sont pas fournis.

Teile ohne **Parts No.** werden nicht geliefert.

ELECTRIC UNIT (X25-9132-7x/9142-7x)

Ref. No.	A d d	N e w	Parts No.	Description	Desti- nation	Ref. No.	A d d	N e w	Parts No.	Description	Desti- nation
IC7			BA4911-V4	ANALOGUE IC							
IC8			HD74HC27FP	MOS-IC							
IC11			S-80835ANNP	MOS-IC							
IC12			BR24C01AF	MEMORY IC							
IC12			BR24C01AF-W	MEMORY IC	E2E3E4						
IC12			BR24C01AF-W	MEMORY IC	E5E8E9						
IC12			M24C01-WMN6T	MEMORY IC							
IC12			S-24C01B	MEMORY IC							
Q10			2SC4081	TRANSISTOR							
Q10			2SD1819A	TRANSISTOR	E2E3E4						
Q10			2SD1819A	TRANSISTOR	E5E8E9						
Q20			2SC4081	TRANSISTOR							
Q20			2SD1819A	TRANSISTOR	E2E3E4						
Q20			2SD1819A	TRANSISTOR	E5E8E9						
Q40			DTA124EUA	DIGITAL TRANSISTOR							
Q40			UN5112	DIGITAL TRANSISTOR	E2E3E4						
Q40			UN5112	DIGITAL TRANSISTOR	E5E8E9						
Q50			2SA1036K	TRANSISTOR							
Q51			UMC2N	TRANSISTOR							
Q55			2SD2375	TRANSISTOR							
Q55			2SD2396	TRANSISTOR							
Q70			2SC4081	TRANSISTOR							
Q70			2SD1819A	TRANSISTOR	E2E3E4						
Q70			2SD1819A	TRANSISTOR	E5E8E9						
Q101			2SC4081	TRANSISTOR							
Q101			2SD1819A	TRANSISTOR	E2E3E4						
Q101			2SD1819A	TRANSISTOR	E5E8E9						
Q102			DTA114YUA	DIGITAL TRANSISTOR							
Q102			UN5114	DIGITAL TRANSISTOR	E2E3E4						
Q102			UN5114	DIGITAL TRANSISTOR	E5E8E9						
Q201			2SC4081	TRANSISTOR							
Q201			2SD1819A	TRANSISTOR	E2E3E4						
Q201			2SD1819A	TRANSISTOR	E5E8E9						
Q223,224			DTC143TUA	DIGITAL TRANSISTOR							
Q223,224			UN5216	DIGITAL TRANSISTOR	E2E3E4						
Q223,224			UN5216	DIGITAL TRANSISTOR	E5E8E9						
Q251			DTC114YUA	DIGITAL TRANSISTOR							
Q251			UN5214	DIGITAL TRANSISTOR	E2E3E4						
Q251			UN5214	DIGITAL TRANSISTOR	E5E8E9						
TH1			PTH9C42BE471Q	POSITIVE RESISTOR							
A1		*	X86-3512-70	FRONT-END UNIT	E2E3E8						
A1		*	X86-3512-70	FRONT-END UNIT	E9						
A1		*	X86-3512-72	FRONT-END UNIT	E4E5						
A1			X86-3522-71	FRONT-END UNIT	E0E1E6						
A1			X86-3522-71	FRONT-END UNIT	E7						

E0 : KDC-3021A
E1 : KDC-3021G
E2 : KDC-3021YA
E3 : KDC-3021YG

E4 : KDC-2092RYA
E5 : KDC-2092RYG

E6 : KDC-306A
E7 : KDC-306G
E8 : KDC-306YA
E9 : KDC-306YG

△ Indicates safety critical components.

SPECIFICATIONS

KDC-2092RYA/RYG

FM

Frequency Range	65MHz~74MHz
Frequency step	30kHz
Frequency Range	87.5MHz~108.0MHz
Frequency step	50kHz
Usable Sensitivity (S/N 26dB)	
65MHz~74MHz	1.4 μ V/75 Ω
87.5MHz~108.0MHz	0.7 μ V/75 Ω
Quieting Sensitivity (S/N 46dB)	
65MHz~74MHz	1.4 μ V/75 Ω
87.5MHz~108.0MHz	1.6 μ V/75 Ω
Frequency Response (\pm 3.0dB)	30Hz~15kHz
S/N (dB)	65dB (MONO)
Selectivity (DIN) (dB)	\geq 80dB (\pm 400kHz)
Stereo Separation	
65MHz~74MHz	not specified
87.5MHz~108.0MHz	35dB (1kHz)

MW

Frequency Range (kHz)	531kHz~1611kHz
(Frequency step)	(9kHz)
Usable Sensitivity (S/N 20dB)	25 μ v

LW

Frequency Range (kHz)	153kHz~281kHz
Usable Sensitivity (S/N 20dB)	45 μ v

CD

Laser Diode	GaAlAs (λ =780nm)
Digital Filter (D/A)	8 times Over Sampling
D/A Converter	1 Bit
Spindle Speed	500~200 (CLV)
Wow & Flutter	Below Mesurable Limit
Frequency Respons	10~20kHz (\pm 1dB)
THD	0.01% (1kHz)
S/N Ratio (dB)	96dB (1kHz)
Dynamic Range	93dB
Channel Separation	85dB

Preout Level (mV)/Load	1800mV/10k Ω (CD/CD-CH)
Preout Impedance (Ω)	\leq 600 Ω

AMP

Maximum Power	50wx4
Power (DIN 45324, +B=14.4V)	30wx4

TONE

Bass	100Hz \pm 10dB
Middle	1kHz \pm 10dB
Treble	10kHz \pm 10dB

GENERAL

Operating voltage (11~16v allowable)	14.4V
Current Consumption	10A
Installation Size (Width)	182mm (7-3/16 inch)
(Height)	53mm (2-1/16 inch)
(Depth)	157mm (6-3/16 inch)
Weight	3.1 lbs (1.4kg)

KDC-3021A/G/YA/YG, KDC-306A/G/YA/YG

FM

Frequency Range	87.5MHz~108.0MHz
Frequency step	50kHz
Usable Sensitivity (S/N 26dB)	0.7 μ V/75 Ω
Quieting Sensitivity (S/N 46dB)	1.6 μ V/75 Ω
Frequency Response (\pm 3.0dB)	30Hz~15kHz
S/N (dB)	65dB (MONO)
Selectivity (DIN) (dB)	\geq 80dB (\pm 400kHz)
Stereo Separation	35dB (1kHz)

MW

Frequency Range (kHz)	531kHz~1611kHz
(Frequency step)	(9kHz)
Usable Sensitivity (S/N 20dB)	25 μ v

LW

Frequency Range (kHz)	153kHz~281kHz
Usable Sensitivity (S/N 20dB)	45 μ v

CD

Laser Diode	GaAlAs (λ =780nm)
Digital Filter (D/A)	8 times Over Sampling
D/A Converter	1 Bit
Spindle Speed	500~200 (CLV)
Wow & Flutter	Below Mesurable Limit
Frequency Respons	10~20kHz (\pm 1dB)
THD	0.01% (1kHz)
S/N Ratio (dB)	96dB (1kHz)
Dynamic Range	93dB
Channel Separation	85dB

Preout Level (mV)/Load	1800mV/10k Ω (CD)
Preout Impedance (Ω)	\leq 600 Ω

AMP

Maximum Power	50wx4
Power (DIN 45324, +B=14.4V)	30wx4

TONE

Bass	100Hz \pm 10dB
Middle	1kHz \pm 10dB
Treble	10kHz \pm 10dB

GENERAL

Operating voltage (11~16v allowable)	14.4V
Current Consumption	10A
Installation Size (Width)	182mm (7-3/16 inch)
(Height)	53mm (2-1/16 inch)
(Depth)	157mm (6-3/16 inch)
Weight	3.1 lbs (1.4kg)

KENWOOD follows a policy of continuous advancements in development. For this reason specifications may be changed without notice.